

# Pre-installation Manual



POLYEXPO II COMBI

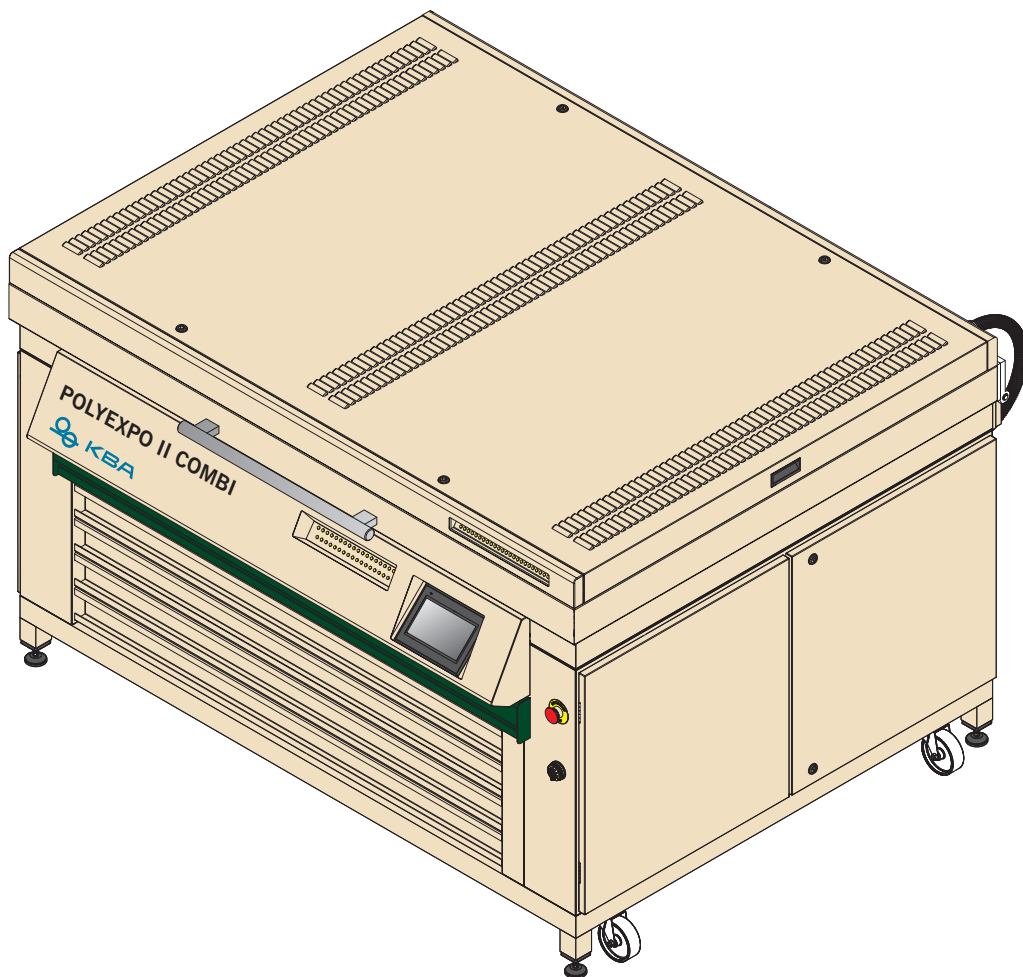




# Pre-installation Manual

---

## POLYEXPO II COMBI



T11408

Edition AA, March 2015  
This book has part No 10078782

This manual is published by: **Glunz & Jensen Degraf S.p.A.**  
'Il Girasole' - Palazzo Donatello 8/03b  
20084 Lacchiarella (MI)  
Italy  
Internet: [www.degraf.glunz-jensen.com](http://www.degraf.glunz-jensen.com)

Copyright © 2014 by Glunz & Jensen Degraf S.p.A.

# Part 0: Introduction

## Reservations

- This manual was written and illustrated using the best possible information available at the time of publication.
- Any differences between this manual and the equipment reflect improvements introduced after the publication of the manual.
- Changes, technical inaccuracies and typographic errors will be corrected in subsequent editions.
- As a part of our policy of continuous improvement, we reserve the right to alter design and specifications without further notice.

## Pre-installation instructions

The instructions in this Pre-installation Manual allow the customer and the Service Technician to prepare the installation site for the equipment and for the installation itself.

- Never install the equipment in explosive environments.
- It is the responsibility of the owner and operator/s of the equipment that the installation is made in accordance with local regulations, and by engineers authorized to carry out plumbing and electrical installations.
- The manufacturer cannot be held responsible for any damage caused by incorrect installation of the equipment.



**Only qualified Service Technicians are allowed to unpack and install the equipment.**



**When preparing the installation site please take into consideration that this equipment is for restricted access locations only!**

## Notes, cautions, and warnings !

Throughout the manual warnings, cautions, and notes are written in bold like the example below:



**Electrical installation must conform to local regulations and guidelines.**

| Symbol | Meaning | Explanation   |
|--------|---------|---|
|        | Note    | The operator should observe and/or act according to the information in order to obtain the best possible function of the equipment.       |
|        | Caution | The operator must observe and/or act according to the information in order to avoid any mechanical or electrical damage to the equipment. |
|        | Warning | The operator must observe and/or act according to the information in order to avoid any personal injury.                                  |

# Table of contents

|   |            |
|---|------------|
| <b>Part 0: Introduction</b> . . . . .               | <b>0-3</b> |
| Reservations . . . . .                              | 0-3        |
| Pre-installation instructions . . . . .             | 0-3        |
| Notes, cautions, and warnings ! . . . . .           | 0-3        |
| <b>Part 1: Transportation</b> . . . . .             | <b>1-1</b> |
| When the equipment arrives . . . . .                | 1-1        |
| Storing the equipment before installation . . . . . | 1-1        |
| The crate . . . . .                                 | 1-1        |
| Dimensions and weight. . . . .                      | 1-1        |
| Checking the crate for damage. . . . .              | 1-2        |
| Handling the crate . . . . .                        | 1-2        |
| Transporting the equipment . . . . .                | 1-3        |
| Lifting the crate . . . . .                         | 1-3        |
| Available width for transport . . . . .             | 1-3        |
| <b>Part 2: Installation requirements</b> . . . . .  | <b>2-1</b> |
| Installation hours . . . . .                        | 2-1        |
| Environmental requirements . . . . .                | 2-1        |
| Installation kit . . . . .                          | 2-1        |
| Space requirements . . . . .                        | 2-2        |
| Free space around the equipment . . . . .           | 2-2        |
| Equipment dimensions . . . . .                      | 2-3        |
| Connections location. . . . .                       | 2-4        |
| Exhaust requirements . . . . .                      | 2-4        |
| Electrical requirements . . . . .                   | 2-5        |
| Main power outlet . . . . .                         | 2-5        |
| Power supply cable . . . . .                        | 2-5        |
| Electrical specifications. . . . .                  | 2-5        |
| Fuses . . . . .                                     | 2-5        |
| Power consumption . . . . .                         | 2-5        |
| <b>Part 3: Pre-installation checklist</b> . . . . . | <b>3-1</b> |

# Part 1: Transportation

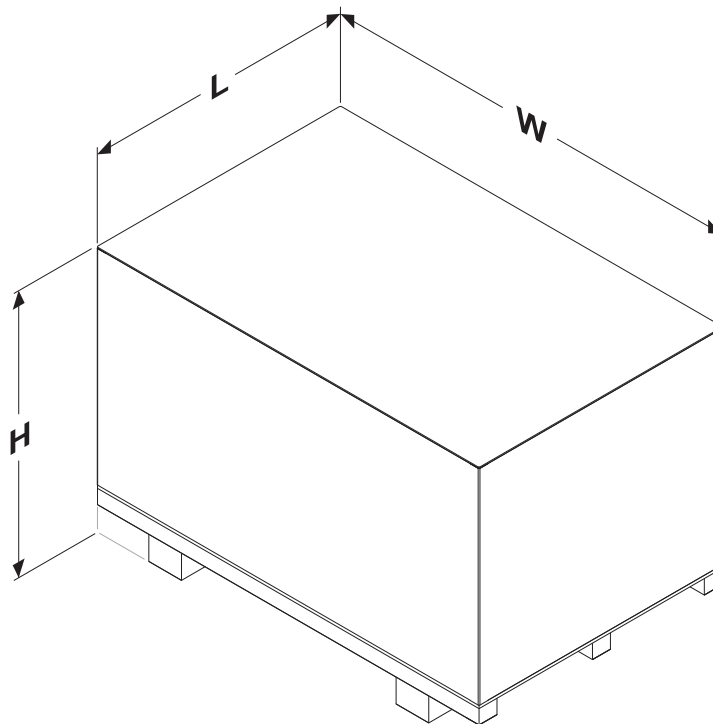
## When the equipment arrives

### Storing the equipment before installation

The crated equipment will usually be delivered some time before the arrival of the Service Technician. In which case you should prepare an appropriate place indoors to store the crated equipment.

## The crate

### Dimensions and weight



T32328

|   |                          |
|---|--------------------------|
| <b>Width (W)</b>                            | 1970 mm (77.6")          |
| <b>Length (L)</b>                           | 1708 mm (67.2")          |
| <b>Height (H)</b>                           | 1368 mm (53.9")          |
| <b>Weight, crated (<math>\pm</math> 5%)</b> | approx. 920 kg (2028 lb) |
| <b>Weight, equipment</b>                    | approx. 650 kg (1433 lb) |

## Checking the crate for damage

Check if the crate is damaged at the time of delivery. Take note of the damage before you allow the Service Technician to unpack the equipment. Provide a detailed description or take a photograph of the damage.



**Report any damage to the crate to the transport company.**

## Handling the crate

The icons on the crate indicate how to handle the crate during transport and storage:



Ensure that the side indicated by the arrows is always up



Handle the crate with care.



Never expose the crate to water, or place it in a high-humidity area.



Do not stack the crates.



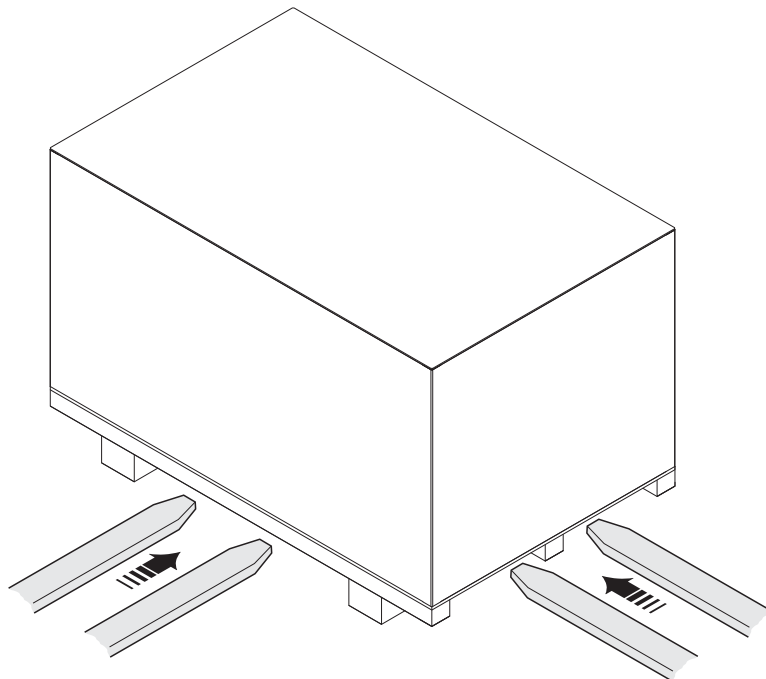
Do not tilt the crate.



## Transporting the equipment

### Lifting the crate

The equipment is supplied in a wooden crate. The equipment is very heavy equipment. To lift the crate a fork-lift truck is required.



T32327

### Available width for transport

Depending on the width of the door(s) through which the equipment has to be transported to the installation site, the Service Technician may have to perform the actions described in the table below:

| If width of the door is... | Then...  |
|----------------------------|--|
| > 1770 mm                  | No action is required as the crated equipment can be transported immediately to the installation site. |
| 1770 - 1620 mm             | The Service Technician has to unpack the equipment.  |



## Part 2: Installation requirements



This equipment must be installed in restricted access locations only.



Check the delivery route to the installation location for necessary clearance and remove all obstructions.

### Installation hours

- The installation of the equipment will last 1 working day.
- The lamps burning, testing the equipment and customer operation and safety training will last another 1 working day.

### Environmental requirements

Provide a heating and ventilation system capable of maintaining room temperature between 17 and 28°C (63 and 82°F) and relative humidity on max. 80%.

For heat emission see "Power consumption" on the page 2-5.

### Installation kit

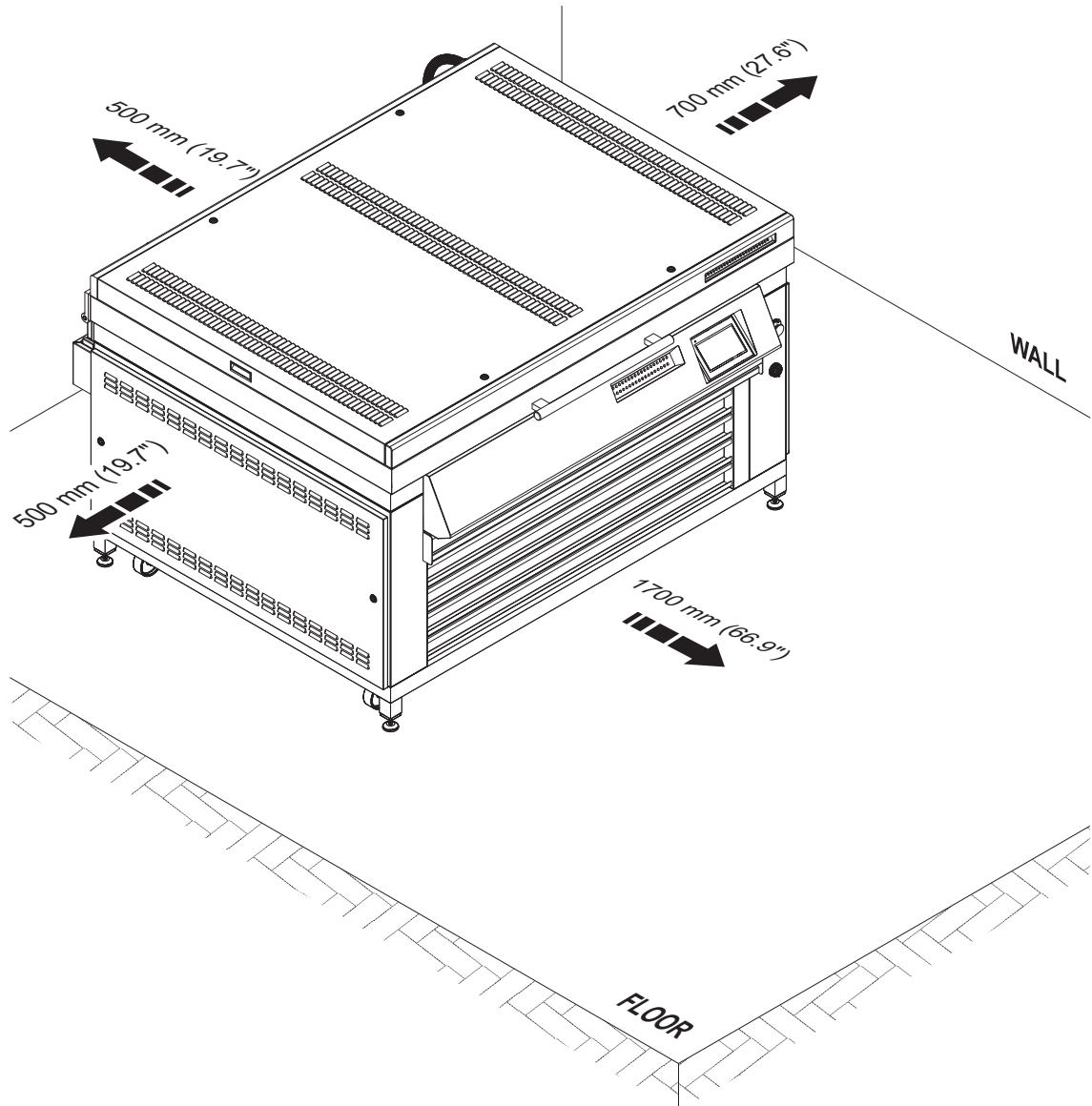
The installation kit is included with the equipment. It comprise all parts necessary to make the installation. See the Service Manual for installation part list.

## Space requirements

### Free space around the equipment

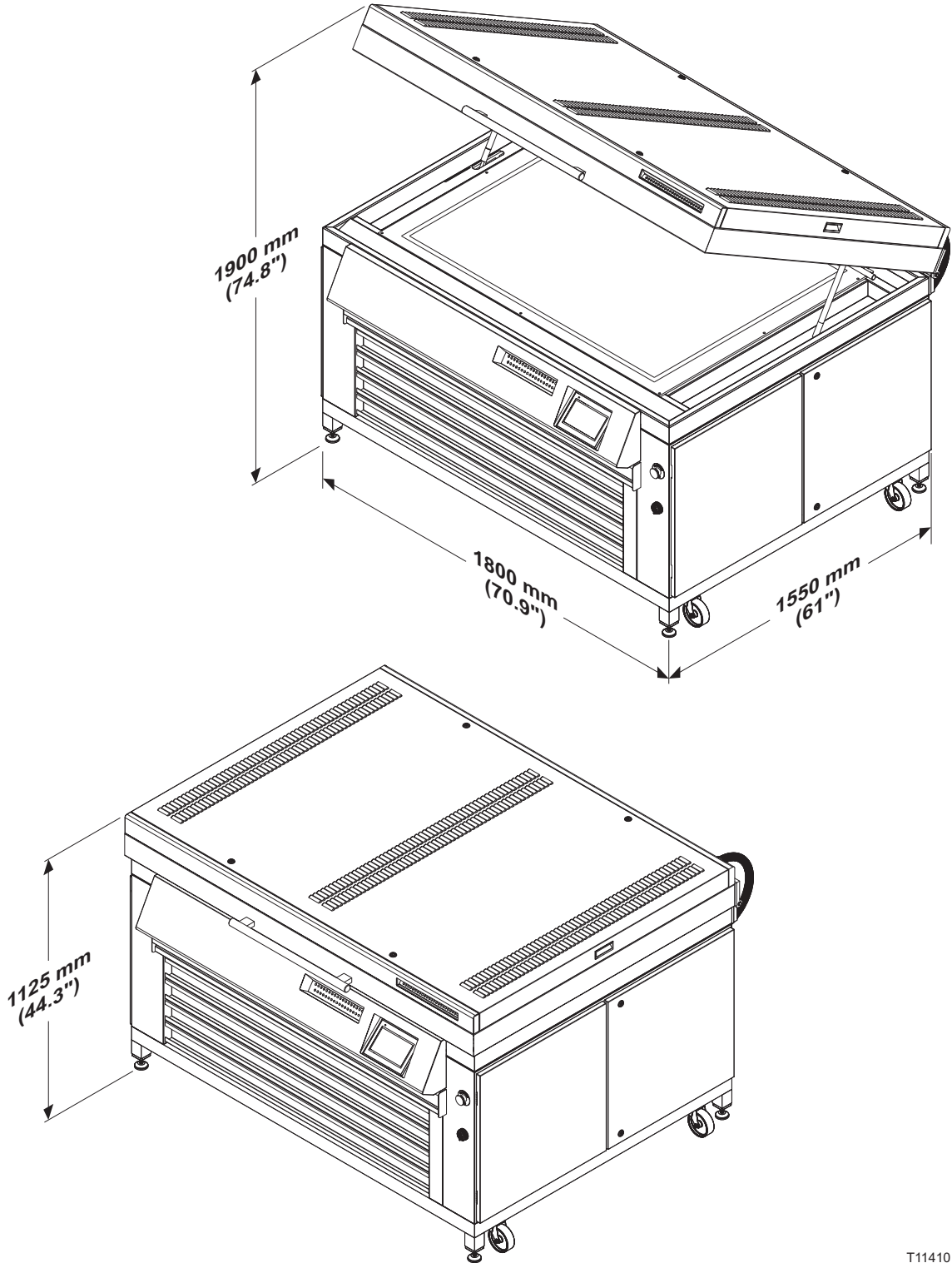
Decide where the equipment shall be placed and make sure that the free space around the equipment makes servicing and work possible.

The recommended minimum free space around the equipment is as illustrated below.



T11409

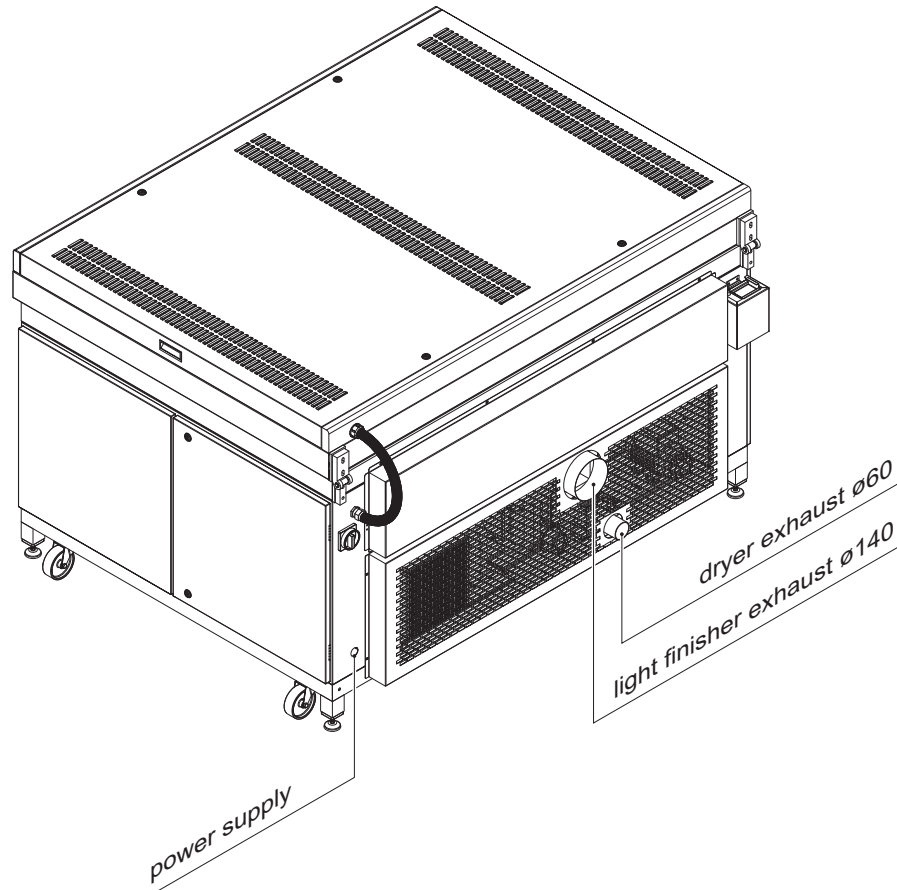
## Equipment dimensions



T11410

## Connections location

All the connection points are located at the back of the equipment (see illustration below).



T11411

## Exhaust requirements

Dryer and light finisher exhausts must be connected to the appropriate location (directly to the outside or to the building exhaust installation).

**i** Dryer and light finisher exhausts must be connected to the separate location.

Make sure that the airflow is correct and minimum exhaust capacity is according to the table below:

|                      |                       |
|----------------------|-----------------------|
| Dryer, min.          | 100 m <sup>3</sup> /h |
| Light finisher, min. | 800 m <sup>3</sup> /h |

## Electrical requirements



Electrical installation must conform to local regulations and guidelines.

### Main power outlet

Provide a main power outlet close to the installation site. The table below indicates the applicable power supply types.

### Power supply cable

The power supply cable (5 m) is delivered with the equipment. The power supply table below shows recommended power supply cable for the equipment.



Provide additional cable protection, e.g. cable covers, if cable is exposed to heavier transport such as fork-lift trucks etc.



The equipment is Class 1 equipment. Therefore, the equipment must be connected to earth to avoid electrical shocks.

## Electrical specifications

### Installation requirements for power supply

|     | Supply / fuse                                 | Recommended cable type   |
|-----|---|--|
| EUR | 3W + N + PE, 400 VAC<br>3 x 15 Amps, 50/60 Hz | Min. 5 x 2.5 mm <sup>2</sup><br>type H07RN-F                         |
| US  | 3W + PE, 230 VAC<br>3 x 28 Amps, 50/60 Hz     | Min. 4 x 8 AWG, UL62 listed<br>type S, SJ, SJO or SJT (as delivered) |
| All | Voltage tolerance ± 10%                       |  |

### Fuses



The fuses must have a breaking capacity of min. 100kA.  
If using automatic circuit breakers make sure that they are Type D.

### Power consumption

|     | Power consumption at ... |         |
|-----|--------------------------|---------|
| All | 230/400 VAC operation:   | 9,500 W |





# Part 3: Pre-installation checklist

Please ask the customer to answer the following questions in order to ensure a trouble-free installation of the equipment. Send this completed pre-installation checklist to your regional service coordinator.

| <b>1. Delivery of the crate and transport to the installation site</b>  | <b>YES</b>               | <b>NO</b>                |
|---|--------------------------|--------------------------|
| A. Is there a place indoor where the crated equipment can be stored temporarily?  | <input type="checkbox"/> | <input type="checkbox"/> |
| B. Is there a fork-lift truck or any other lifting device available?  | <input type="checkbox"/> | <input type="checkbox"/> |
| C. Can the crate be transported directly to the installation site?<br><i>See minimum width specifications on page 1-3.</i>                            | <input type="checkbox"/> | <input type="checkbox"/> |
| D. Is it sufficient to unpack the equipment before it is transported to the installation site? <i>See minimum width specifications on page 1-3.</i>   | <input type="checkbox"/> | <input type="checkbox"/> |
| E. Are there other factors (stairs, elevators, corners, obstacles, etc.) which should be taken into account when transporting the crate or equipment? | <input type="checkbox"/> | <input type="checkbox"/> |
| If so, explain: .....   |                          |                          |
| .....   |                          |                          |
| .....   |                          |                          |
| .....   |                          |                          |

| <b>2. Power supply</b>  | <b>YES</b>               | <b>NO</b>                |
|---|--------------------------|--------------------------|
| A. Make a note of the present supply specifications:<br>No. of Phases .....      Voltage ..... V      Fused by ..... Amps<br>Neutral Wire? .....      Earth Wire? .....      Frequency ..... Hz |                          |                          |
| B. Has a connection box been provided to connect the equipment to the mains?  | <input type="checkbox"/> | <input type="checkbox"/> |
| C. Is there a house electrician available?  | <input type="checkbox"/> | <input type="checkbox"/> |
| D. Are there any known problems in the building where the equipment will be installed?  | <input type="checkbox"/> | <input type="checkbox"/> |
| If so, explain: .....   |                          |                          |
| .....   |                          |                          |
| .....   |                          |                          |
| .....   |                          |                          |
| .....   |                          |                          |

| <b>3. Environmental and exhaust requirements</b>   | <b>YES</b>               | <b>NO</b>                |
|--|--------------------------|--------------------------|
| A. Is capacity of air condition/ventilation adequate with regard to exhaust and environmental requirements specified on pages 2-1 and 2-4? | <input type="checkbox"/> | <input type="checkbox"/> |
| B. Is there an adequate exhaust system as specified on page 2-4 available?   | <input type="checkbox"/> | <input type="checkbox"/> |
| C. Can hoses (ø60 and ø140) be connected to the exhaust system?  | <input type="checkbox"/> | <input type="checkbox"/> |
| D. Availability of warm water for cleaning purposes?   | <input type="checkbox"/> | <input type="checkbox"/> |

#### 4. Comments and questions

.....

.....

.....

.....

#### 5. Disposition of the various supplies and equipment on the installation site

Please send this completed pre-installation checklist to your regional service coordinator.