

Pre-installation Guide

PolyExpo III Combi

▶ **IMPORTANT**

Please follow the instructions in this guide when preparing the installation site prior to arrival and installation of the equipment.

(Blank)

About this manual

This manual applies to the combined unit **PolyExpo III Combi**.

This manual is published by:

Glunz & Jensen A/S

Lindholm Havnevej 29

5800 Nyborg

Denmark

Phone: +45 57 68 81 81

E-mail: gjhq@glunz-jensen.com

Internet: www.glunz-jensen.com

Copyright © June, 2018 by Glunz & Jensen A/S

Table of Contents

About this manual	3
Table of Contents	4
Introduction	5
Reservations	5
Introduction	5
Notes, Cautions and Warnings!	5
Transportation	7
When the equipment arrives	7
Storing of the equipment prior to the installation	7
The crate	7
Crate Dimensions	7
PolyExpo	7
Weight	8
Checking the crate for damage	8
Handling the crate	8
Lifting the crate	9
Required width of passage and doorways	9
Installation requirements	11
Heating and ventilation	11
Installation kit	11
Space requirements	12
Free space around the equipment	12
Dimensions and connections	13
Exhaust connection	14
Electrical requirements	15
Main power outlet	15
Power cable	15
Electrical specifications	16
Power supply requirements	16
Power consumption	16
PolyExpo	16
Checklist	17

Introduction

Reservations




- This manual was written and illustrated using the best possible information available at the time of publication.
- Any differences between this manual and the equipment reflect improvements introduced after the publication of the manual.
- Changes, technical inaccuracies and typographic errors will be corrected in subsequent editions.
- As a part of our policy of continuous improvement, we reserve the right to alter design and specifications without further notice.

Introduction

The instructions in this Pre-installation Guide help the customer and the Service Technician to prepare the installation site for the arrival and installation of the equipment.

Notes, Cautions and Warnings!

Notes, cautions, and warnings in this manual are used and categorized as described below:

Symbol	Meaning	Explanation
	NOTE	The operator should observe and/or act according to the information in order to obtain the best possible function of the equipment.
	CAUTION	The operator must observe and/or act according to the information in order to avoid any mechanical or electrical damage to the equipment.
	WARNING	The operator must observe and/or act according to the information in order to avoid any personal injury.



(blank page)

Transportation

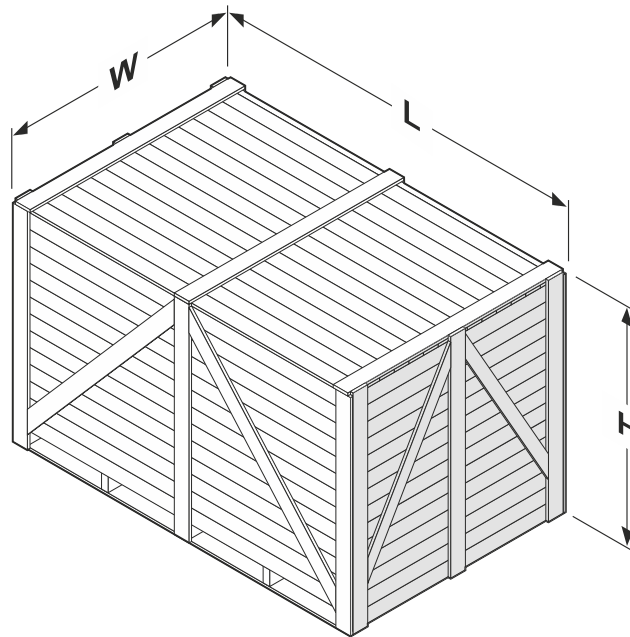
When the equipment arrives

Storing of the equipment prior to the installation

The equipment will usually be delivered some time before the arrival of the service technician. Provide for an appropriate place indoor to store the crated equipment until the service technician arrives.

The crate

Crate Dimensions



PolyExpo

	III Combi
Length (L)	1708 mm (67.2")
Width (W)	1970 mm (77.6")
Height (H)	1368 mm (53.9")

Weight

	III Combi
With crate	920 kg (2028 lbs)
Without crate	650 kg (1433 lbs)

Checking the crate for damage

Check if the crate is damaged on delivery at the customer's address. Make notes of any damages, before opening the crate. Provide a detailed description and take a photograph of the damage.

Report any damage of the crate to the shipping company and notify the insurance agent, if appropriate, before the mishandled package is opened.

Handling the crate

The icons on the crate indicate how to handle the crate during transport and storage:



Ensure that the side indicated by the arrows is always up.



Handle the crate with care



Never expose the crate to water, or place it in a high-humidity area.



Do not stack the crates.





Do not tilt the crate.

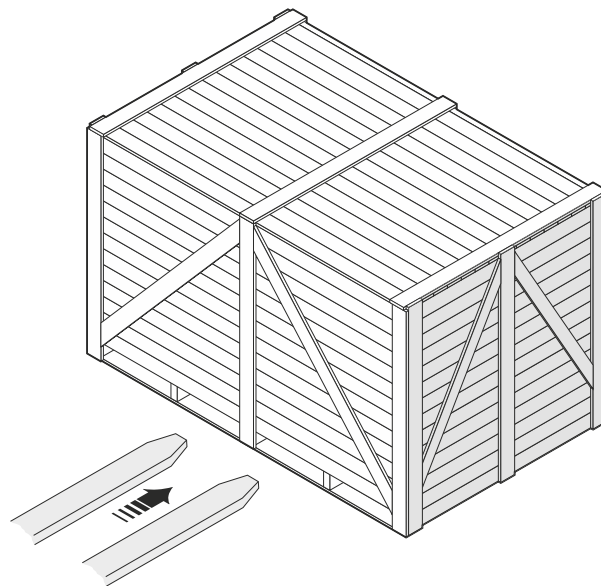
Lifting the crate

The equipment is supplied in a wooden crate on a pallet.

A fork-lift truck is required for lifting the crate on arrival and for lifting the equipment off the pallet.



 **WARNING:** The equipment is very heavy equipment. It is only possible to lift the equipment off the pallet using a forklift truck or a pallet mover.

 **CAUTION:** Make sure to provide a forklift designed and adequate for lifting a crate of the size and weight as specified in this manual.



Required width of passage and doorways

Depending on the width of the passage- and doorways through which the equipment has to be transported to the installation site, the service technician may have to perform the actions described in the table below:

If width of the doorway is ...	III Combi	Then ...
More than	1770 mm (69.7")	The crated equipment can be transported immediately to the installation site.  CAUTION: May require machine moving skates suitable for transport of very heavy equipment. Please refer to "Weight" on the previous page.
Less than but more than	1770 mm (69.7") 1620 mm (63.8")	The Service Technician has to unpack the equipment.  CAUTION: May require machine moving skates suitable for transport of very heavy equipment. Please refer to "Weight" on the previous page.



(blank page)

Installation requirements



WARNING: The equipment must be installed in restricted access locations only.



NOTE: Check the delivery route to the installation location for necessary clearance and remove all obstructions.

Heating and ventilation

Provide a heat and ventilation system capable of maintaining room temperature between 28°C (82°F) and 17°C (63°F) and a relative humidity (non condensing) of min. 20 % and max. 80%.

For heat emission see "Power consumption" on page 16.

Installation kit

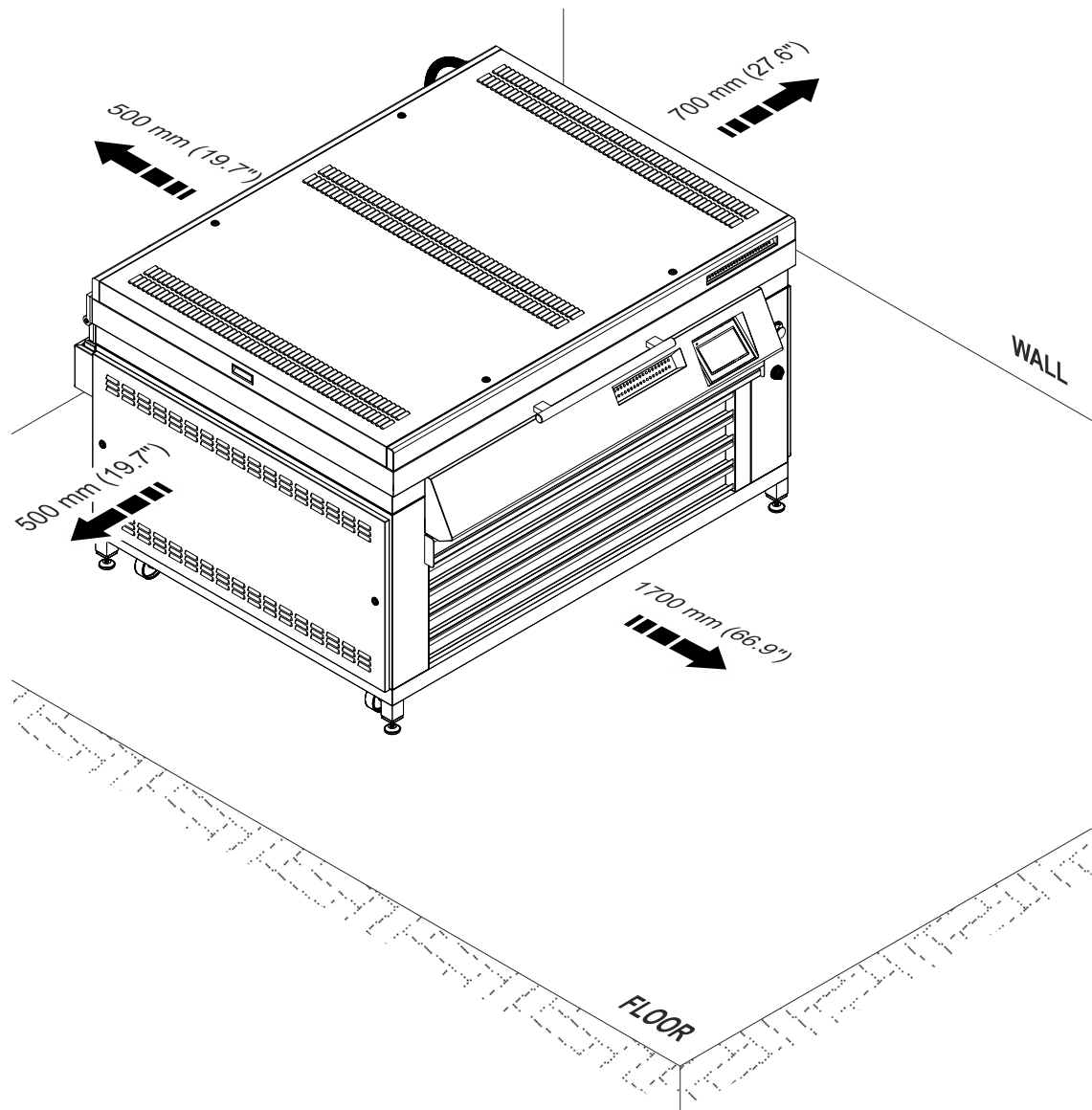
Installation kit is included with the equipment. It comprise the parts necessary to make the installation.

Space requirements

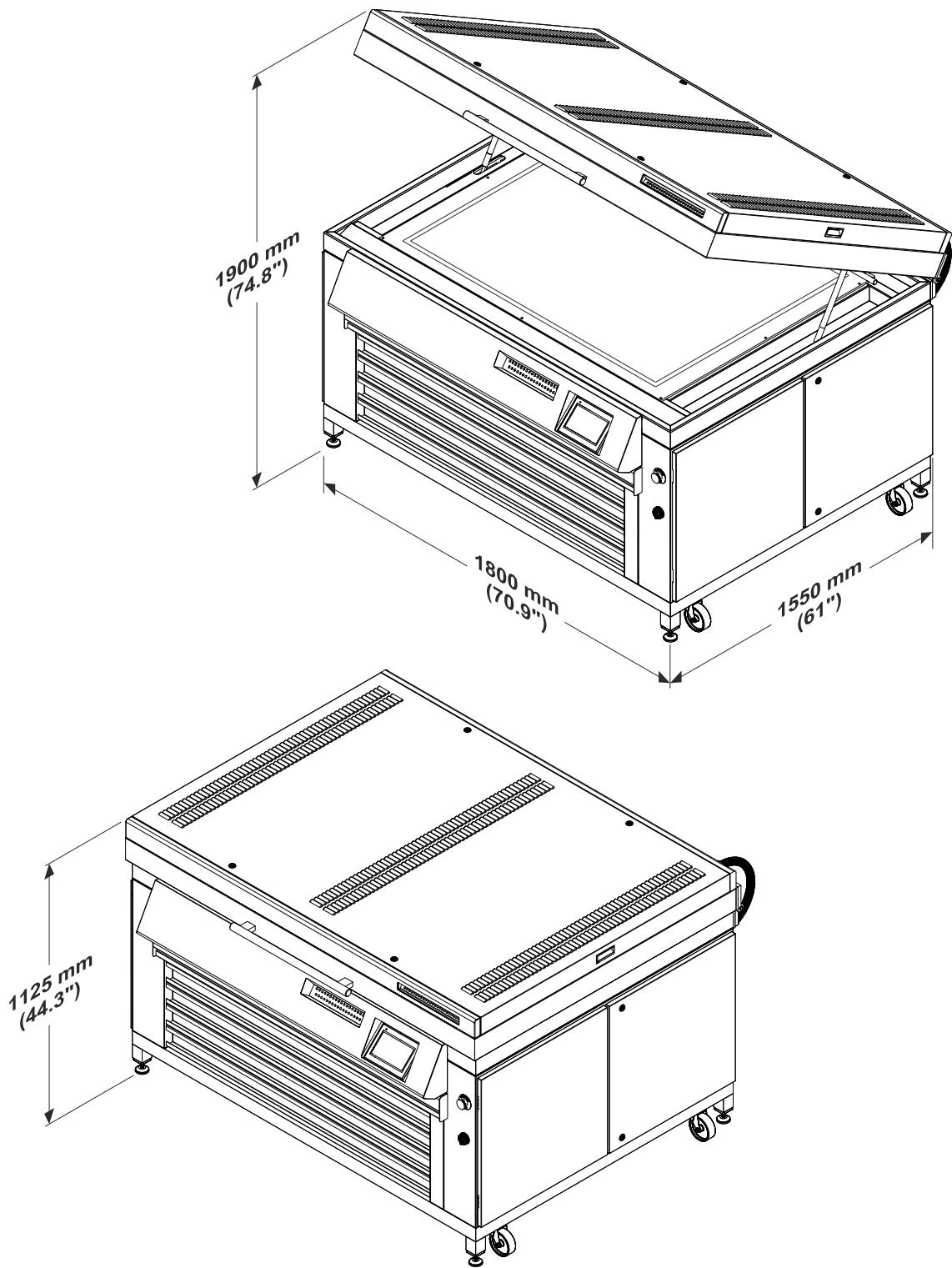
Free space around the equipment

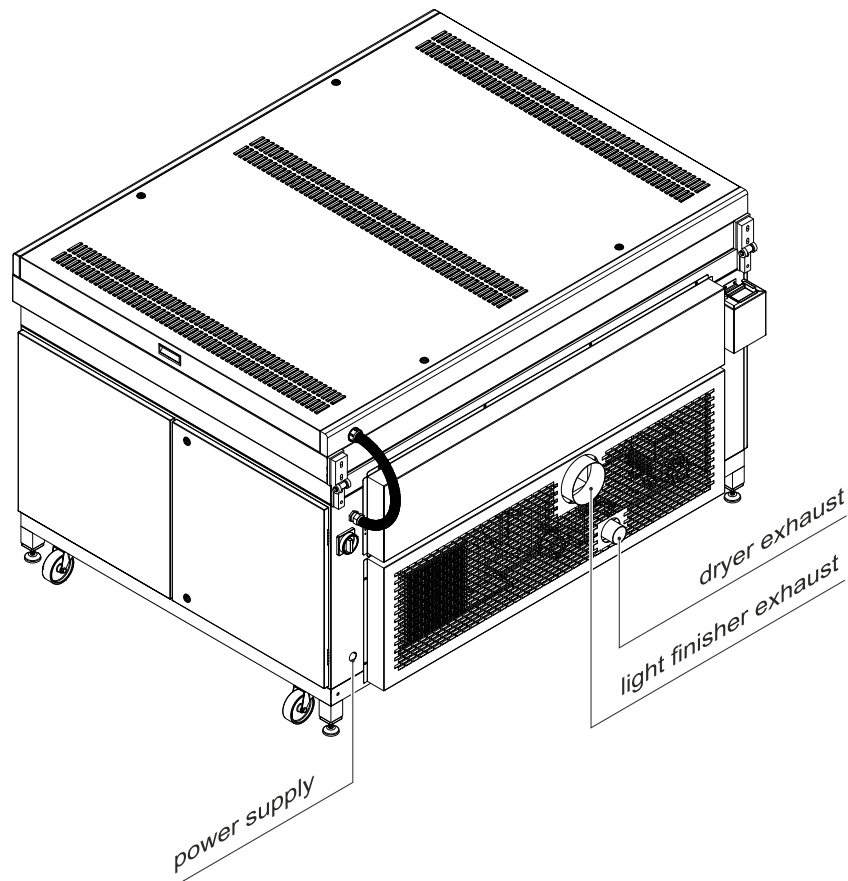
Decide for a proper installation site for the equipment and make sure that the free space around the equipment makes servicing possible.

The recommended minimum free space around the equipment is specified in the next illustration.



Dimensions and connections





Exhaust connection

Dryer exhaust must be connected to the appropriate location (directly to the outside or to the building exhaust installation).

Light finisher exhaust must be connected to the appropriate and separate location (directly to the outside or to the building exhaust installation).



WARNING: Do not connect the dryer and light finisher exhausts together as the mixing of vapors could create explosive fumes emission depending of the solvent used to wash the plates.

Exposure exhaust does not need any connection and may blow directly to the room. Exposure exhaust can be loud and can introduce warm air into air conditioned room.



NOTE: Exposure exhaust can be loud and can introduce warm air into air conditioned room.

Make sure that the airflow is correct and minimum exhaust capacity is according to the Exhaust specification table.

	III Combi
Dryer, min.	100 m ³ /h (59 ft ³ /min)
Exposure, min.	blowing directly to the room
Light finisher, min.	800 m ³ /h (470 ft ³ /min)

Electrical requirements



WARNING: Electrical installation must conform to local regulations and guidelines.

Main power outlet

Provide an mains power-outlet with an electrical plug lockout close to the installation site. The table showing "Power supply requirements" on the next page indicates the applicable power supply types.

Power cable



NOTE: The cable for the main power connection is included with the equipment.



WARNING: The equipment is Class 1 equipment. Therefore, the equipment must be connected to earth to avoid electrical shocks.

Please be aware of double pole/neutral fusing.



CAUTION:

The conductors in the power supply cable should be of copper.

Provide for additional cable protection, e.g. cable covers, if cable is exposed to heavier transport such as fork-lift trucks etc.

Electrical specifications

Power supply requirements



CAUTION: The requirements below are specifications for preparing the installation protection. The fuses/circuit breakers must be prepared according to local regulations, and with adequate capacity as specified here. The circuit breakers must be suitable for inventor operation.



NOTE: Specifications on the equipment's name plate is the actual input current and will thus not be identical to below mentioned.

	Supply *	Fuses and cables types III Combi
EUR	3W + N + PE, 400 VAC, 50/60 Hz	Fused by 3 × 15 Amps Cable type: Min. 5 × 2.5 mm ² , type H07 RNF
US	3W + PE, 230 VAC, 50/60 Hz	Fused by 3 × 28 Amps Cable type: Min. 4 × 8 AWG, type S, SJ, SJO or SJT

*) Voltage tolerance ± 10%



NOTE: The power cable(s) must be in accordance with local regulations.



WARNING: Please be aware of double pole/neutral fusing.



CAUTION: The fuses must have a breaking capacity of min. 100 kA.

Power consumption

PolyExpo

	III Combi
In operate by 230 VAC (±10%) per phase, max.	9500 W (32415 BTU)

Checklist

Please check the following conditions in order to ensure a trouble-free installation of the equipment:

- | 1. | Delivery of the crate and transport to the installation site | YES | NO |
|-------|--|-----------------------|-----------------------|
| A. | Is there a place indoor where the crated equipment can be stored temporarily? | <input type="radio"/> | <input type="radio"/> |
| B. | Is there a hand-powered pallet mover, a fork-lift truck or any other lifting device available? Please refer to "Lifting the crate" on page 1 for required lifting equipment. | <input type="radio"/> | <input type="radio"/> |
| C. | Can the crate be transported directly to the installation site? See "Required width of passage and doorways" on page 9.. | <input type="radio"/> | <input type="radio"/> |
| D. | Is it necessary to unpack the equipment before it is transported to the installation site? See "Required width of passage and doorways" on page 9.. | <input type="radio"/> | <input type="radio"/> |
| E. | Are there other factors (stairs, elevators, corners, obstacles, etc.) which should be taken into account when transporting the equipment?
If YES, please describe: | <input type="radio"/> | <input type="radio"/> |
| <hr/> | | | |
| 2. | Power supply | YES | NO |
| A. | Make a note of the present supply specifications: | | |
| | Number of phases: _____ Neutral wire? <input type="radio"/> | | |
| | Voltage (V): _____ Earth wire? <input type="radio"/> | | |
| | Fused by (Amps): _____ | | |
| | Frequency (Hz): _____ | | |
| B. | Has a connection box been provided to connect the equipment to the mains? | <input type="radio"/> | <input type="radio"/> |
| C. | Has the customer been asked to provide for all supplies (cables, fuses, etc.) necessary to connect the equipment to the mains? | <input type="radio"/> | <input type="radio"/> |
| D. | Is there a house electrician available? | <input type="radio"/> | <input type="radio"/> |
| E. | Are there any known problems in the building where the equipment will be installed?
If YES, please describe which: | <input type="radio"/> | <input type="radio"/> |
| <hr/> | | | |
| 3. | Connections | YES | NO |
| A. | Is air condition/ventilation available according to the requirements as described in chapter "Exhaust connection" on page 14.? | <input type="radio"/> | <input type="radio"/> |