

Flex-Pose LED

COMPACT.
CONSISTENT.
GREEN CHOICE.



The future of flexo

At Glunz & Jensen, we are always working on developing new and innovative solutions that provide the reliable, consistent prepress results that you know and trust. Our first flexo LED exposure system, the Flex-Pose LED, is no exception.

With a compact footprint and cooled bed, this single-sided LED exposure system combines elegant simplicity with ground-breaking LED technology. The result is an affordable, easy to use exposure unit. Our LEDs provide consistent and precise dot reproduction in less time and with less energy usage than a traditional exposure unit.

The Flex-Pose LED is a smart choice – regardless of whether your focus is on saving electricity, space, time or money. Designed to be compact, affordable and reliable, you can expect the same high quality results that you have come to trust from Glunz & Jensen.



▲ High-contrast, high-definition user-friendly touchscreen and graphical user interface for ease of use.



▲ Save energy and reduce waste – LEDs use less energy and generate less heat than conventional tube lights.



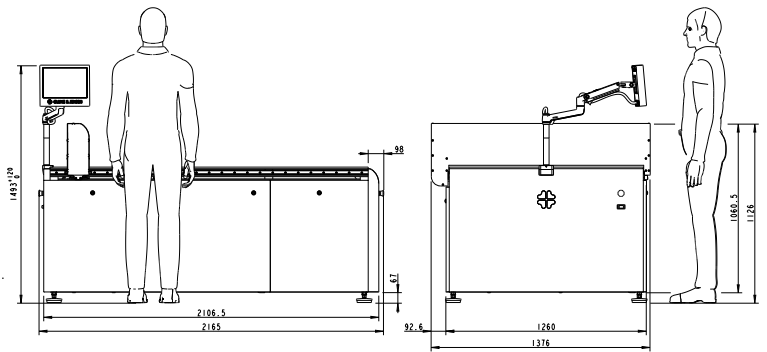
▲ Consistent exposure quality ensured by precise control of all parameters, such as LED temperature, exposure percentage and head speed.



▲ Suitable for all types of flexo and letterpress plates.

Flex-Pose LED has a small footprint with conveniently located electronic and mechanical components for ease of operation and maintenance.

Achieve very consistent head speed with the servo drive system.



Consistent, high precision temperature control for the LED bar.

Modular design with easily accessible service connections.



Save time and money – unlike conventional tube lights, LEDs have a lifetime of at least 20,000 hours and rarely have to be replaced.



Flex-Pose LED	
MODEL	420 LED
PERFORMANCE	
Plate size (max)	1070 x 1530 mm (42 x 60")
Plate type	All flexographic and letterpress plate types
Light source	All high power LED 365Nm
CONSUMPTION	
Power supply (main machine)	1Ph+N+PE 230 VAC 13A 50/60Hz
Power supply (chiller)	1Ph+N+PE 230 VAC 13A 50/60Hz
Compressed air	Not required
Extraction	Not required
Ethernet	1x open connection with RJ45 socket
GENERAL	
Dimensions (LxWxH)	2120 x 1360 x 1300 mm (83.5 x 53 x 45.3")
Weight (approx.)	300 kg (661 lbs)
Approvals	Complies with CE and RoHS standards

Note: Specifications are subject to changes without prior notice.

GLUNZ & JENSEN
developing more

Glunz & Jensen (HQ)
Selandia Park 1
4100 Ringsted, Denmark
+45 5768 8181
gj@glunz-jensen.com

Glunz & Jensen s.r.o.
Kosicka, 50
08001 Prešov, Slovakia
+421 51 7563811
gj@glunz-jensen.com

Glunz & Jensen (Americas)
2185 Hwy. 292
Inman, SC 29349, USA
+1 864 568 4638
gj-americas@glunz-jensen.com

Stay updated!
Follow Glunz & Jensen



www.glunz-jensen.com